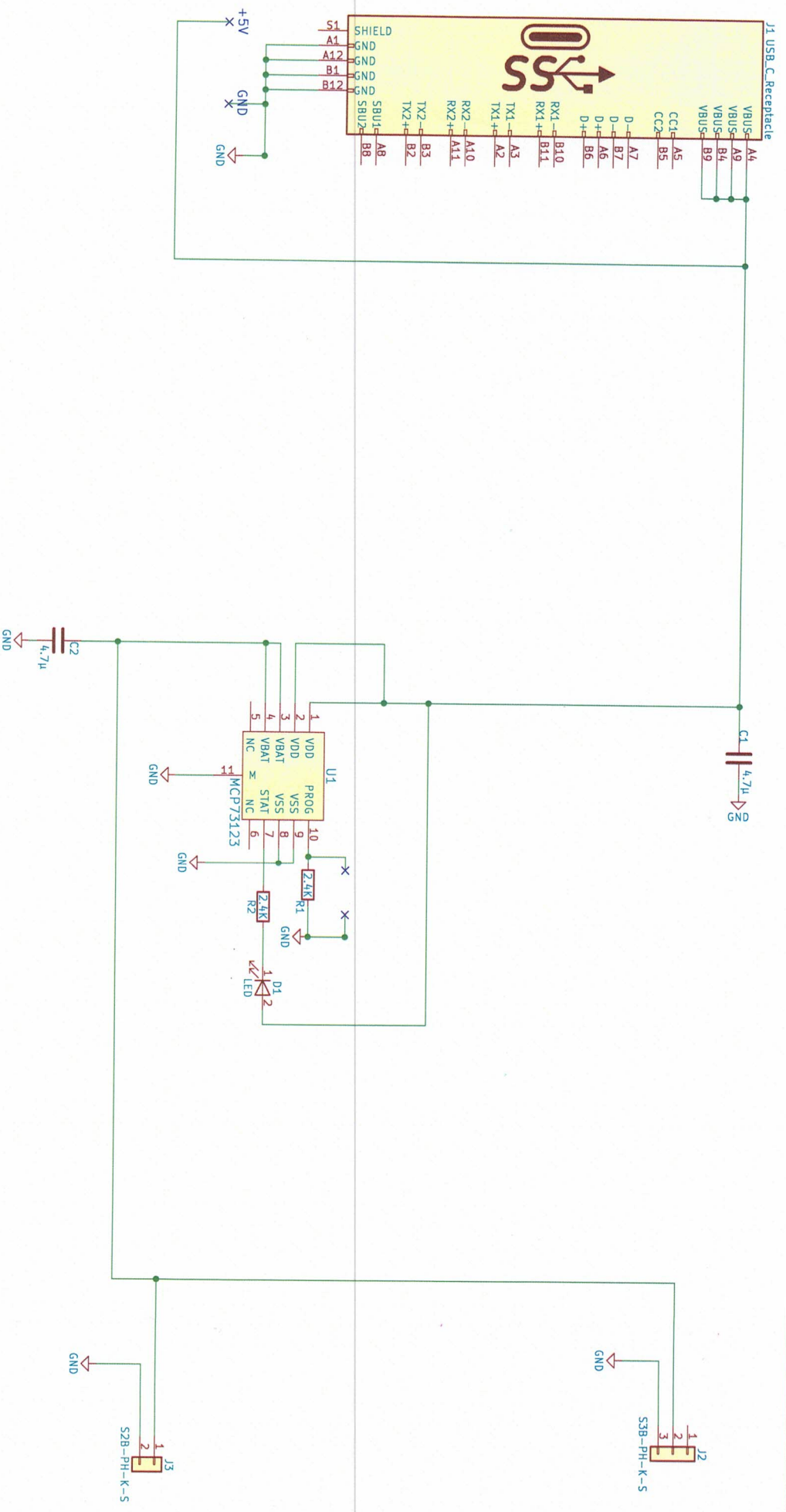


Sheet: /	
File: Lipoz2.sch	
Title:	
Size: A4	Date:
Kicad E.D.A. kicad 4.0.7	Rev: 1/1



Sheet: /	Date:
File: Iiposch	
Title:	
Size: A4	Rev: 1/1
KiCad E.D.A. kicad 4.0.7	